

# VHLPX2-15-3WH/B

---



0.6 m | 2 ft ValuLine® High Performance Low Profile Antenna, dual-polarized, 14.400–15.350 GHz, UBR140 flange, white antenna, composite broadband gray radome without flash, compact pack—one-piece reflector

## Product Classification

<b>Product Type</b>	Microwave antenna
<b>Product Brand</b>	ValuLine®

## General Specifications

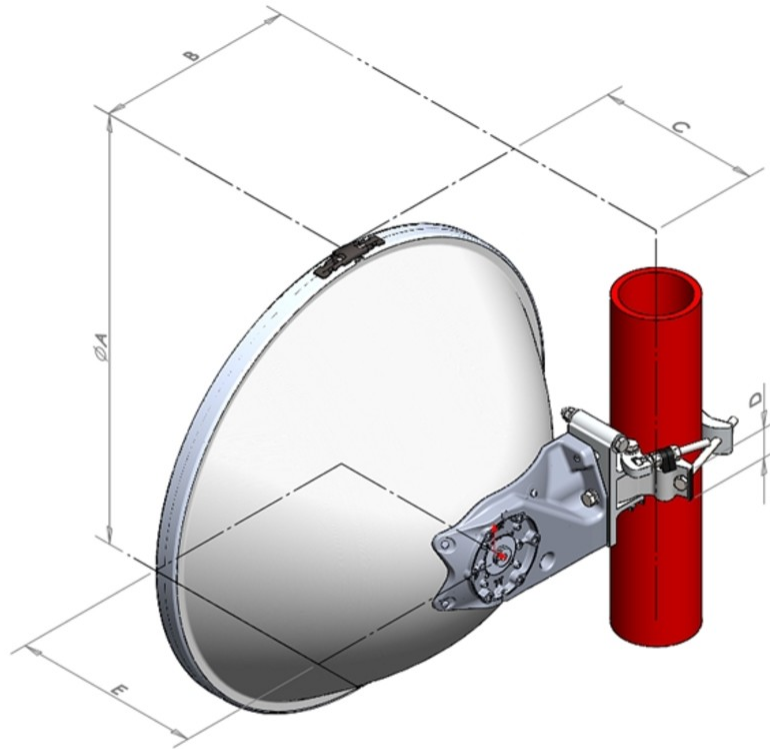
<b>Antenna Type</b>	VHLPX - ValuLine® High Performance Low Profile Antenna, dual-polarized
<b>Polarization</b>	Dual
<b>Antenna Input</b>	UBR140
<b>Antenna Color</b>	White
<b>Reflector Construction</b>	One-piece reflector
<b>Radome Color</b>	Gray
<b>Radome Material</b>	Composite Broadband
<b>Flash Included</b>	No
<b>Side Struts, Included</b>	0
<b>Side Struts, Optional</b>	0

## Dimensions

<b>Diameter, nominal</b>	0.6 m   2 ft
--------------------------	--------------

# VHLPX2-15-3WH/B

## Antenna Dimensions and Mounting Information



I

Dimension in Inches (mm)					
Antenna size, ft (m)	A	B	C	D	E
2 (0.6)	26 (660)	11.9 (307)	9.9 (252)	1.8 (45)	11.4 (289)

## Electrical Specifications

<b>Operating Frequency Band</b>	14.400 – 15.350 GHz
<b>Gain, Low Band</b>	36.8 dBi
<b>Gain, Mid Band</b>	37.1 dBi
<b>Gain, Top Band</b>	37.5 dBi
<b>Boresite Cross Polarization Discrimination (XPD)</b>	30 dB
<b>Front-to-Back Ratio</b>	65 dB
<b>Beamwidth, Horizontal</b>	2.5 °
<b>Beamwidth, Vertical</b>	2.5 °
<b>Return Loss</b>	17.7 dB
<b>VSWR</b>	1.3

# VHLPX2-15-3WH/B

---

## Radiation Pattern Envelope Reference (RPE)

7215B

## Electrical Compliance

Brazil Anatel Class 2 | Canada SRSP 314.5 Part A | ETSI 302 217 Class 3

## Mechanical Specifications

### Compatible Mounting Pipe Diameter

50 mm–120 mm | 2.0 in–4.7 in

### Fine Azimuth Adjustment Range

±15°

### Fine Elevation Adjustment Range

±15°

### Wind Speed, operational

180 km/h | 111.847 mph

### Wind Speed, survival

250 km/h | 155.343 mph

## Wind Forces at Wind Velocity Survival Rating

### Axial Force (FA)

1290 N | 290.004 lbf

### Side Force (FS)

639 N | 143.653 lbf

### Twisting Moment (MT)

395 N-m | 3,496.045 in lb

### Zcg without Ice

74 mm | 2.913 in

### Zcg with 1/2 in (12 mm) Radial Ice

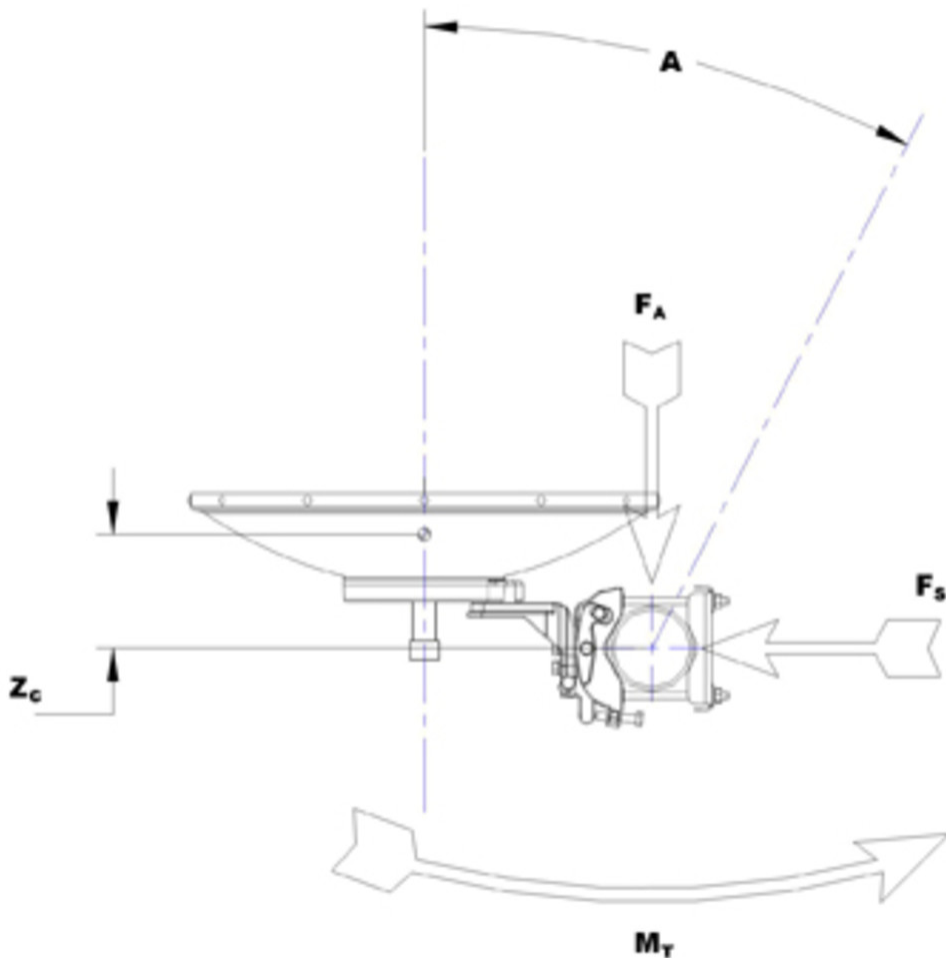
106 mm | 4.173 in

### Weight with 1/2 in (12 mm) Radial Ice

21 kg | 46.297 lb

# VHLPX2-15-3WH/B

## Wind Forces at Wind Velocity Survival Rating Image



## Packaging and Weights

<b>Height, packed</b>	354 mm   13.937 in
<b>Width, packed</b>	695 mm   27.362 in
<b>Length, packed</b>	730 mm   28.74 in
<b>Packaging Type</b>	Compact pack
<b>Volume</b>	0.2 m <sup>3</sup>   7.063 ft <sup>3</sup>
<b>Weight, gross</b>	10.8 kg   23.81 lb
<b>Weight, net</b>	8 kg   17.637 lb

## Regulatory Compliance/Certifications

# VHLPX2-15-3WH/B

## Agency

CHINA-ROHS  
ISO 9001:2015  
REACH-SVHC  
ROHS

## Classification

Below maximum concentration value  
Designed, manufactured and/or distributed under this quality management system  
Compliant as per SVHC revision on [www.commscope.com/ProductCompliance](http://www.commscope.com/ProductCompliance)  
Compliant



## \* Footnotes

### Wind Speed, operational

For VHLP(X), SHP(X), HX and USX antennas, the wind speed where the maximum antenna deflection is 0.3 x the 3 dB beam width of the antenna. For other antennas, it is defined as a deflection is equal to or less than 0.1 degrees.

### Wind Speed, survival

The maximum wind speed the antenna, including mounts and radomes, where applicable, will withstand without permanent deformation. Realignment may be required. This wind speed is applicable to antenna with the specified amount of radial ice.

### Operating Frequency Band

Bands correspond with CCIR recommendations or common allocations used throughout the world. Other ranges can be accommodated on special order.

### Gain, Mid Band

For a given frequency band, gain is primarily a function of antenna size. The gain of Andrew antennas is determined by either gain by comparison or by computer integration of the measured antenna patterns.

### Boresite Cross Polarization Discrimination (XPD)

The difference between the peak of the co-polarized main beam and the maximum cross-polarized signal over an angle twice the 3 dB beamwidth of the co-polarized main beam.

### Front-to-Back Ratio

Denotes highest radiation relative to the main beam, at  $180^\circ \pm 40^\circ$ , across the band. Production antennas do not exceed rated values by more than 2 dB unless stated otherwise.

### Return Loss

The figure that indicates the proportion of radio waves incident upon the antenna that are rejected as a ratio of those that are accepted.

### VSWR

Maximum; is the guaranteed Peak Voltage-Standing-Wave-Ratio within the operating band.

### Radiation Pattern Envelope Reference (RPE)

Radiation patterns define an antenna's ability to discriminate against unwanted signals. Under still dry conditions, production antennas will not have any peak exceeding the current RPE by more than 3dB, maintaining an angular accuracy of  $\pm 1^\circ$  throughout

### Axial Force (FA)

Maximum forces exerted on a supporting structure as a result of wind

# VHLPX2-15-3WH/B

---

from the most critical direction for this parameter. The individual maximums specified may not occur simultaneously. All forces are referenced to the mounting pipe.

## **Side Force (FS)**

Maximum side force exerted on the mounting pipe as a result of wind from the most critical direction for this parameter. The individual maximums specified may not occur simultaneously. All forces are referenced to the mounting pipe.

## **Twisting Moment (MT)**

Maximum forces exerted on a supporting structure as a result of wind from the most critical direction for this parameter. The individual maximums specified may not occur simultaneously. All forces are referenced to the mounting pipe.

## **Packaging Type**

Andrew standard packing is suitable for export. Antennas are shipped as standard in totally recyclable cardboard or wire-bound crates (dependent on product). For your convenience, Andrew offers heavy duty export packing options.