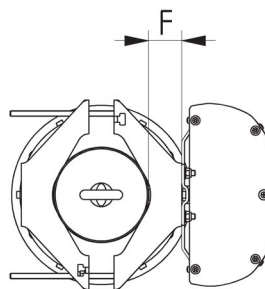
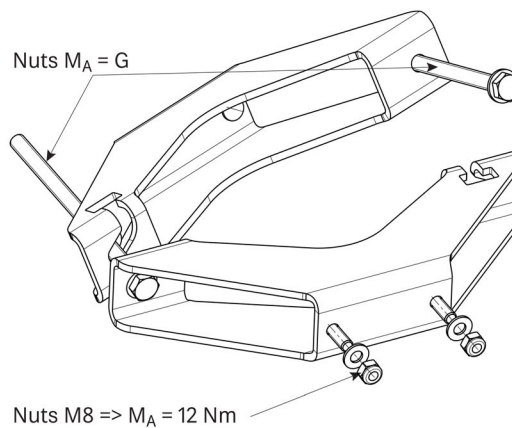
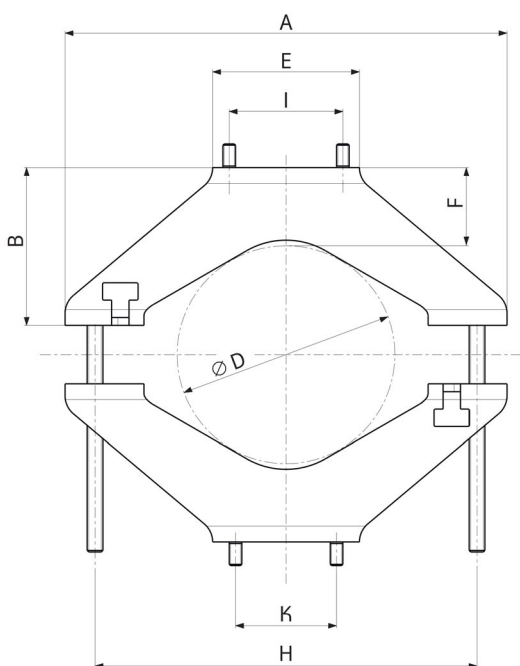


Mounting Hardware Clamps (Wind Load Category “L”, “M” and “H”)

KATHREIN

Clamps

Type No.	731651	738546	85010212	85010002	85010003
Suitable for mast diameter	28–60 mm	42–115 mm	55–115 mm	110–220 mm	210–380 mm
Antenna – mast distance F	25–28 mm	20–26 mm	30–34 mm	47–55 mm	48–68 mm
Number of pieces	1 clamp	1 clamp	1 clamp	1 clamp	1 clamp
Material – Clamp	Hot-dip galvanized steel	Hot-dip galvanized steel	Hot-dip galvanized steel	Hot-dip galvanized steel	Hot-dip galvanized steel
– Screws	Hot-dip galvanized steel/ Stainless steel	Hot-dip galvanized steel/ Stainless steel	Hot-dip galvanized steel/ Stainless steel	Hot-dip galvanized steel/ Stainless steel	Stainless steel/ Stainless steel
– Nuts	Stainless steel	Stainless steel	Stainless steel	Stainless steel	Stainless steel
Weight	0.8 kg	1.1 kg	1.6 kg	2.7 kg	4.8 kg



Type No.	A	B	C	D	E	F	G	H	I	K
731651	116 mm	40 mm	40 mm	28–60 mm	93 mm	25–28 mm	20 Nm	84 mm	–	64 mm
738546	152 mm	40 mm	40 mm	42–115 mm	93 mm	20–26 mm	25 Nm	125 mm	72 mm	64 mm
85010212	174 mm	50 mm	50 mm	55–115 mm	104 mm	30–34 mm	35 Nm	126 mm	72 mm	–
85010002	280 mm	100 mm	50 mm	110–220 mm	93 mm	47–55 mm	35 Nm	240 mm	72 mm	64 mm
85010003	442 mm	150 mm	50 mm	210–380 mm	150 mm	48–68 mm	35 Nm	392 mm	72 mm	64 mm

**Please note: Kathrein does not recommend to use counter nuts.
The additional nuts supplied are only meant as spares.**