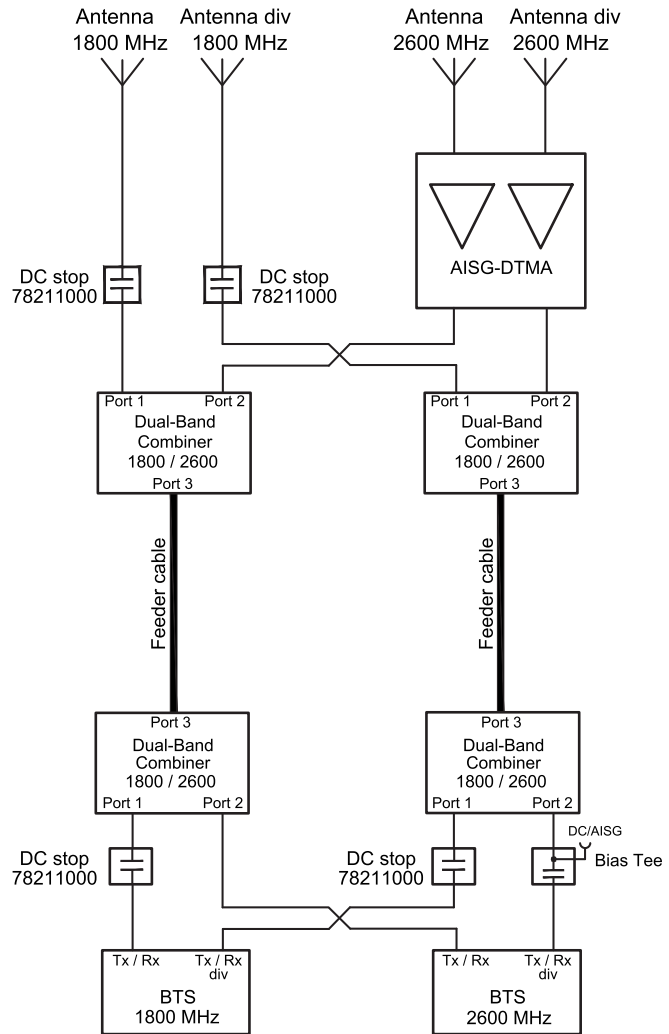


DC Stop

250 – 3800 MHz

DC Stop is used in dual- or multi-band antenna systems where one or more antenna systems require a DC supply for an installed mast head amplifier. The DC Stop prevents DC voltage from being shorted within the non-biased antenna system(s) and isolates the corresponding base station output(s) from DC voltage.

- Low RF signal insertion loss
- High DC signal isolation from port 1 to port 2 and vice versa
- Isolation of AISG signals
- Suitable for indoor or outdoor applications



Technical Data

Type No.		78211000
Frequency range	MHz	250 - 3800
Insertion loss Port 1 ↔ Port 2	dB	< 0.1
Isolation Port 1 ↔ Port 2	dB	DC Stop > 23 (AISG 2.176 MHz)
VSWR		< 1.5 (250 - 380 MHz) < 1.25 (380 - 575 MHz) < 1.1 (575 - 3700 MHz) < 1.2 (3700 - 3800 MHz)
Impedance	Ω	50
Input power	W	< 500 (250 - 2700 MHz) < 300 (2700 - 3800 MHz)
Intermodulation products	dBc	< -160 (3 rd order; with 2 x 20 W)
Temperature range	°C °F	-40 ... +70 -40 ... +158
Connectors Port 1 Port 2		4.3-10 male 4.3-10 female
Application		Indoor or outdoor (IP 67)
Weight	kg lb	0.2 0.44
Dimensions (w x Ø)	mm in	79 x 29 3.1 x 1.1 (including connectors)

